

1 8 10-14



## Service Information Bulletin

SUBJECT	DATE
Clutch Position Sensor	August 2014

### Additions, Revisions, or Updates

Publication Number / Title	Platform	Section Title	Change
DDC-SVC-MAN-0140	DT12 Transmission	Removal of the Clutch Position Sensor	This is a new section.
		Installation of the Clutch Position Sensor	

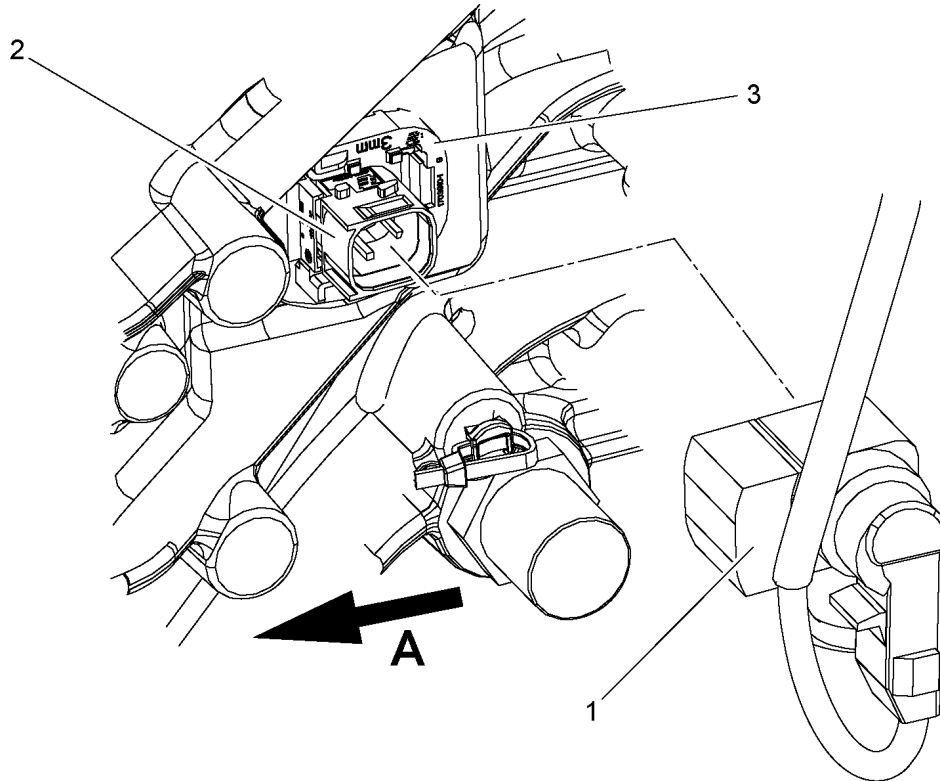


13400 Outer Drive, West, Detroit, Michigan 48239-4001  
 Telephone: 313-592-5000  
[www.demanddetroit.com](http://www.demanddetroit.com)

## 2 Removal of the Clutch Position Sensor

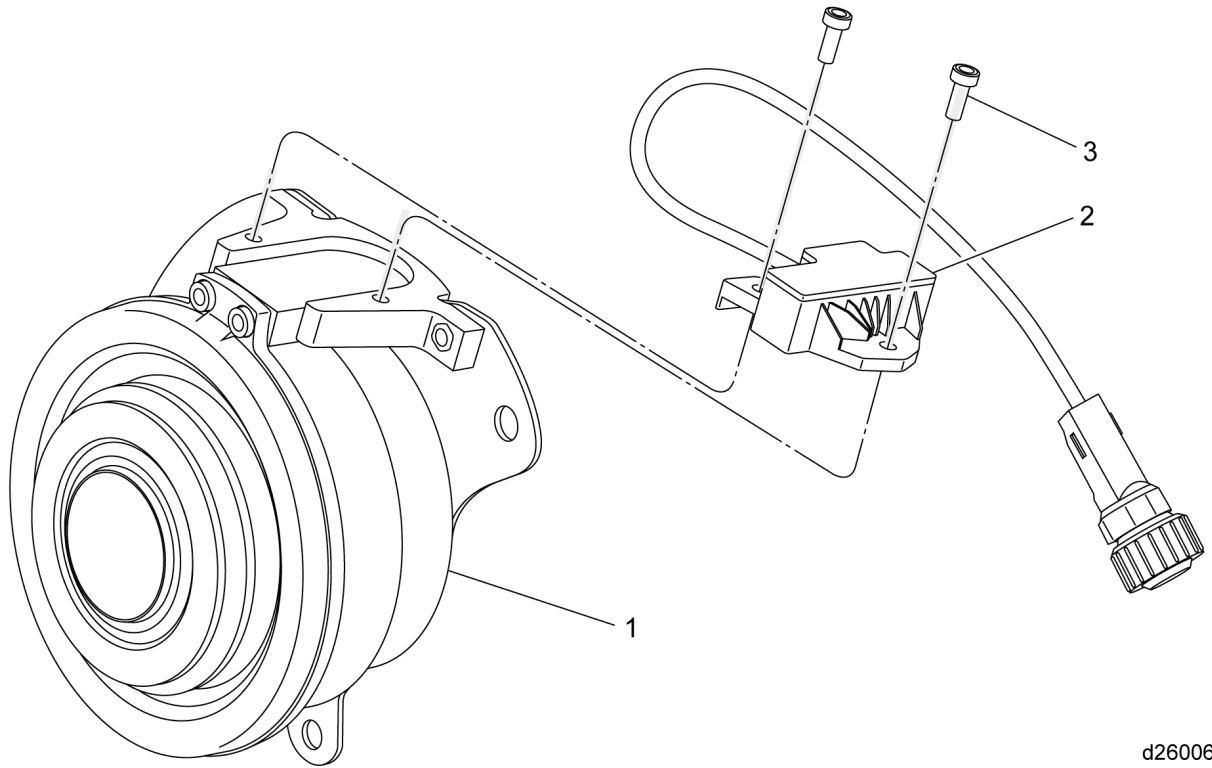
Remove as follows:

1. Park the vehicle on a level surface, shut down the engine, and set the parking brake. Chock the tires.
2. Disconnect the batteries at the negative post, including the batteries for the auxiliary Heating, Ventilation and Air Conditioning (HVAC), if equipped.
3. Remove the transmission. For instructions, see the vehicle workshop manual.
4. On the outside of the bell housing pass-through, disconnect the transmission harness (1) from the clutch actuator connector (2). Remove the pass-through retaining clip (3).



d260002

5. Remove the fasteners (3) and then remove the clutch position sensor (2) from the clutch actuator (1).

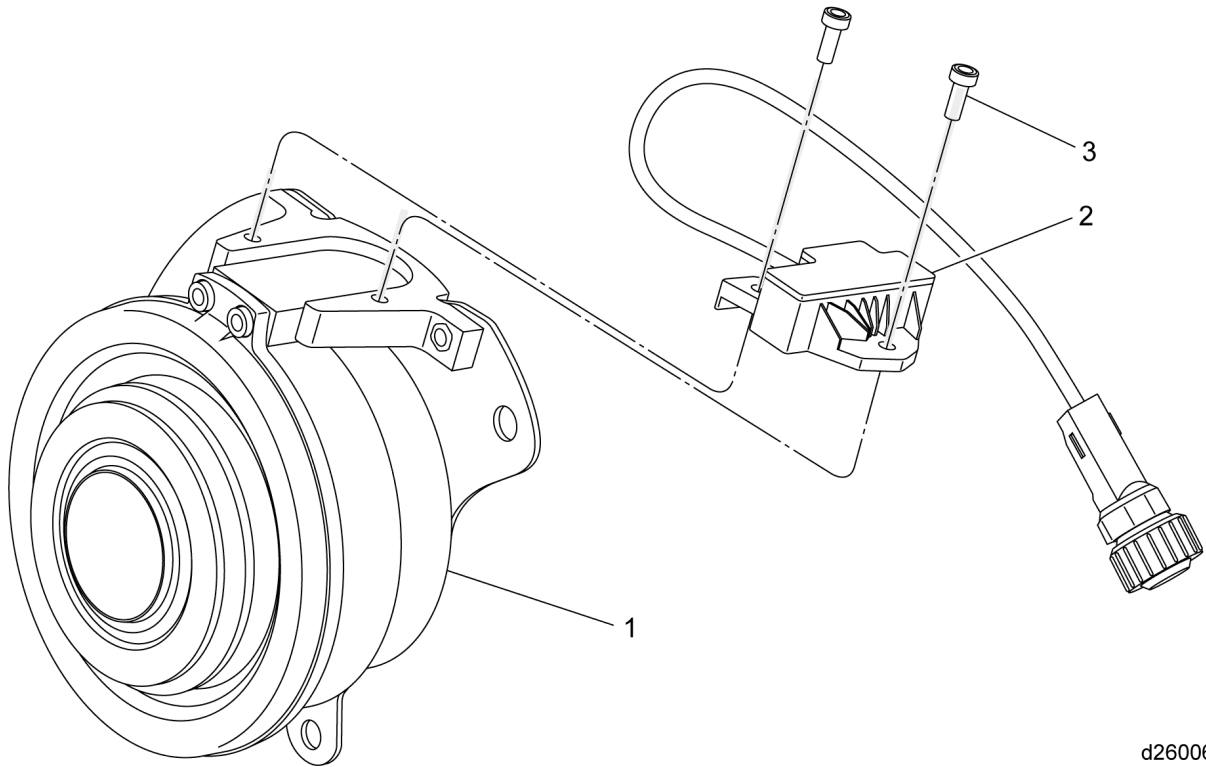


d260064

### 3 Installation of the Clutch Position Sensor

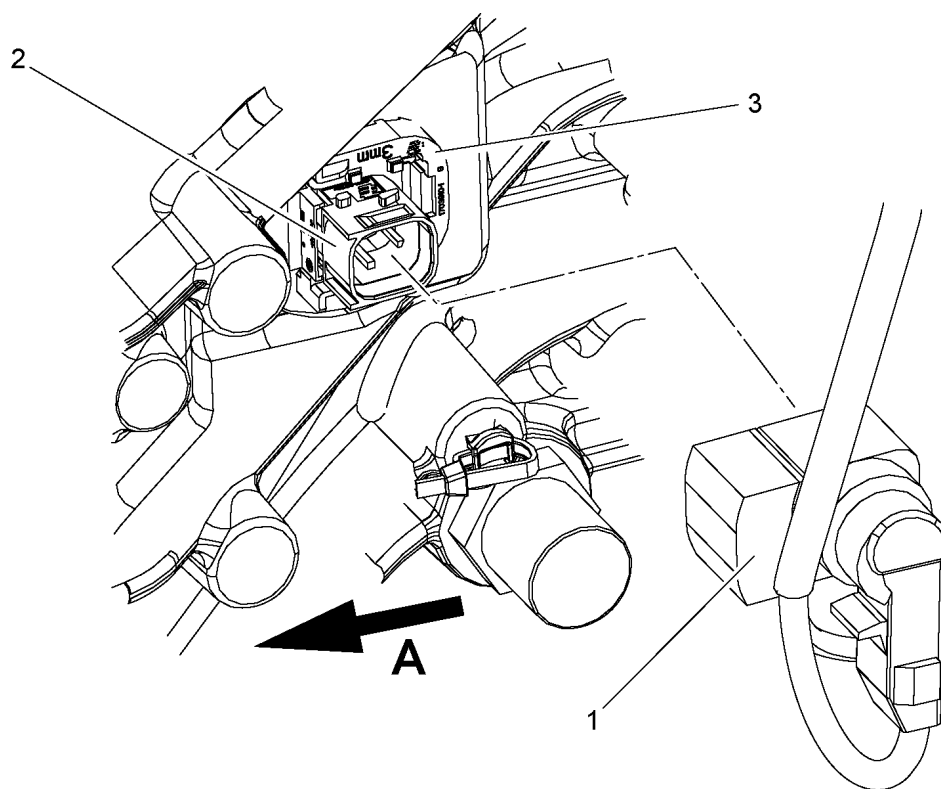
Install as follows:

1. Attach the position sensor (2), and torque the fasteners (3) to 5 N·m (44 lb·in.).



d260064

2. Insert the pass-through connector (2), and then install the retaining clip (3). Reconnect the transmission harness connector (1).



d260002

3. Install the transmission. For instructions, see the Vehicle Workshop Manual.
4. Connect the batteries.



**WARNING: EYE INJURY**

To avoid injury from flying debris when using compressed air, wear adequate eye protection (face shield or safety goggles) and do not exceed 276 kPa (40 psi) air pressure.

5. Charge the air system with shop air.
6. Connect DiagnosticLink<sup>®</sup>; under the Actions dropdown menu, perform the "Clutch Only Learn Procedure."