



18SP582* – Series 60[®] New Cylinder Head Gasket P/N: 23538406 and Cylinder Head Bolt P/N: 23530768 (Kit P/N: 23532298)

* Revision - 3/02/09

KIT DESCRIPTION

A new Series 60 cylinder head gasket has been released effective with engine serial number 06R1012531. New cylinder head gasket part number 23538406 replaced former part number 23532045. The new gasket is a metal sandwich-type gasket as compared to the woven fabric-type former gasket. For service requirements, use 23532298 kit which includes gasket part number 23538406 plus 18SP582 instructions.

There is NO change to the current cylinder head bolt P/N: 23530768 which became effective with engine serial number 06R0718942.

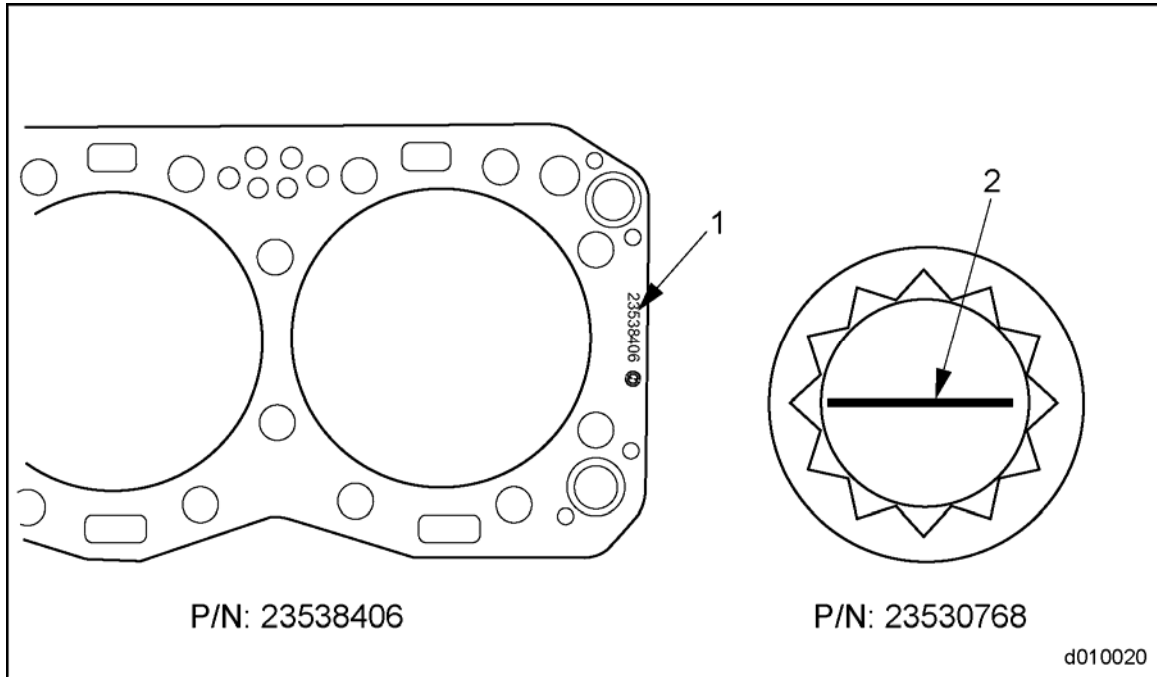
KIT CONTENTS

Series 60 New Cylinder Head Gasket Kit P/N: 23532298, listed in Table 1, includes the following items:

Part No.	Qty.	Description
23538406	1	Cylinder Head Gasket
18SP582Rev.	1	Installation Instructions

Table 1 Series 60 New Cylinder Head Gasket Kit (P/N: 23532298)

See Figure 1 for the cylinder head gasket and bolt description.



1. Part Number stamped onto gasket
2. Grooved line on top of bolt

Figure 1 S60 New Cylinder Head Gasket and Bolt Design

NOTICE:

Key repair information:

- Like the former gasket, install the new gasket with the part number **facing up** and at the front of the engine.
- Cylinder head bolt torque remains at 298 N·m (220 lb · ft).
- You **MUST** use the current cylinder head bolts with the current gaskets.
- Do **NOT** mix former and current cylinder head bolts with the current gaskets.
- On Series 60 engines, the current cylinder head bolts are **reusable**.



13400 Outer Drive, West, Detroit, Michigan 48239-4001
Telephone: 313-592-5000
www.detroitdiesel.com

Specifications are subject to change without notice. Detroit Diesel Corporation is registered to ISO 9001:2001. Copyright © 2009 Detroit Diesel Corporation. All rights reserved. Detroit Diesel Corporation is a Daimler company.

18SP582Rev. 0903 As technical advances continue, specifications will change. Printed in U.S.A.