



Installation Instructions

18SP588 – MBE 900 Warranty Long Block Assembly Engine Serial Number Application

Introduction

MBE 900 warranty long block assemblies are identified with a Detroit Diesel Remanufacturing serial number tag affixed to the engine block's rear left side. See Figure 1.

This tag will contain the Warranty Long Block Part Number and Warranty Long Block Serial Number (for example):

P/N: R23534280W

S/N: 906.000 R3 123457

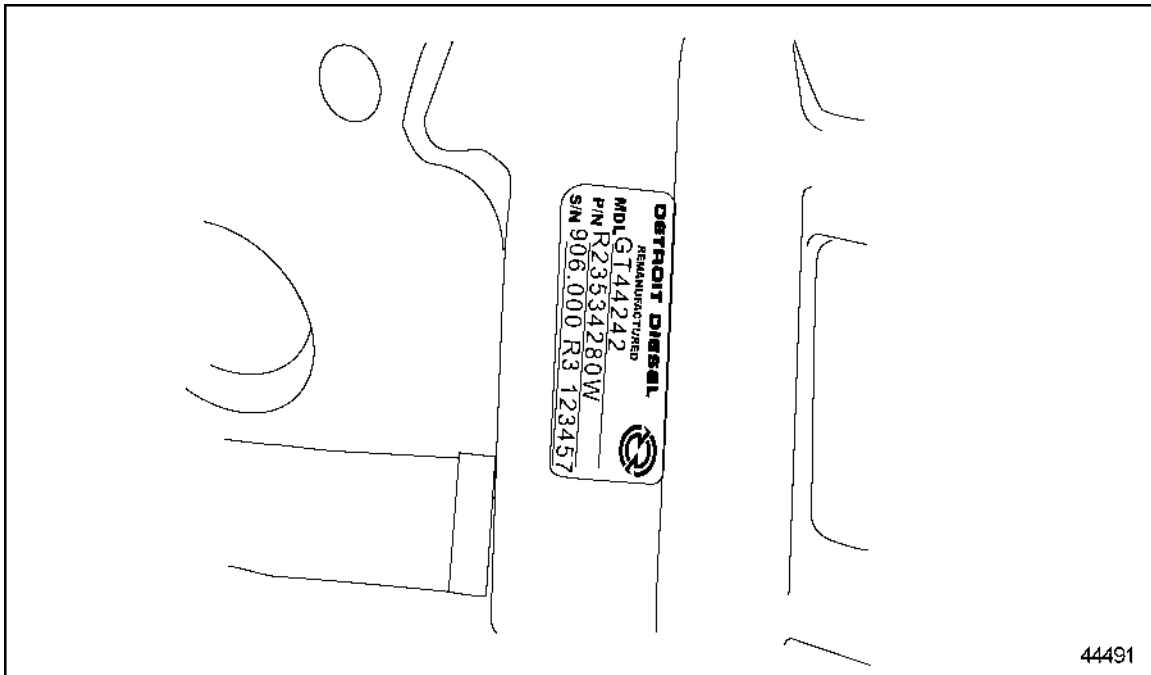


Figure 1 Remanufacturing Serial Number Tag

In addition to this tag, the Warranty Long Block Serial Number has been stamped on the right rear side of the cylinder block as shown in Figure 2.

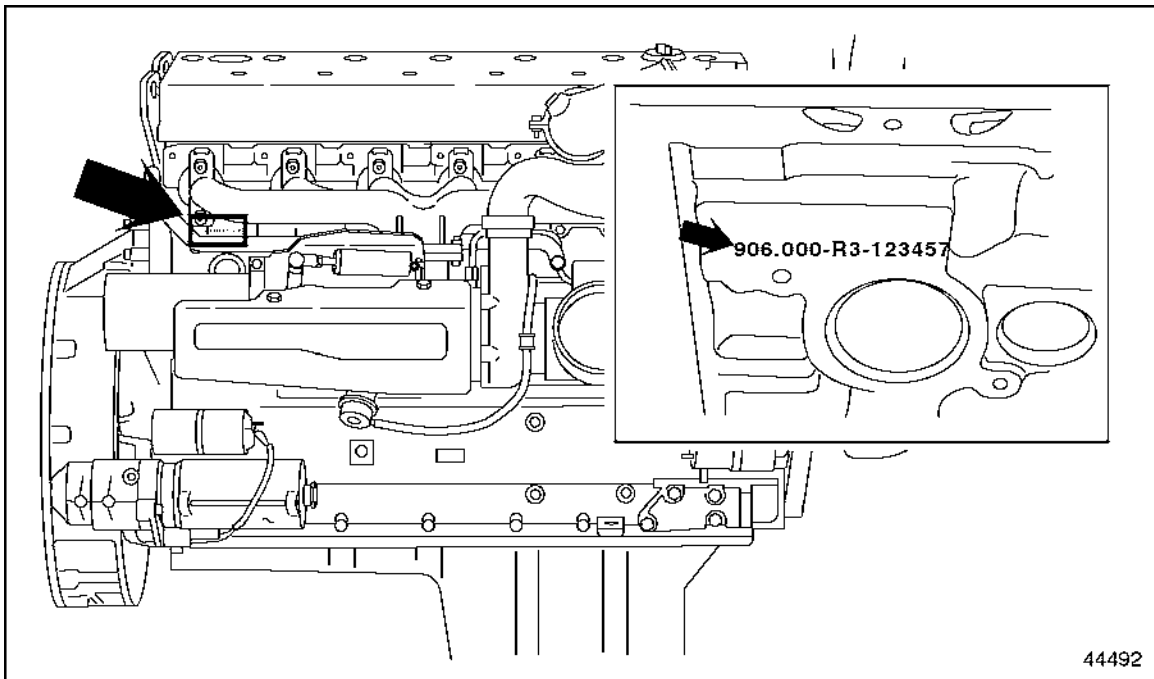


Figure 2 Engraved Serial Number Location on Long Block

For future Warranty document identification, use this Warranty Long Block Serial Number.

Service and Replacement Parts Engine Identification

In addition to the fourteen-digit warranty long block serial number now stamped on the cylinder block, there is an original engine ten-digit number used for service and service parts that is found on the DDEC-ECU (PLD-MR) label located on the DDEC-ECU (PLD-MR) on the left side of the engine. See the example in Figure 3.

The ten-digit number is derived from the original engine fourteen-digit serial number. See the example in Figure 4.

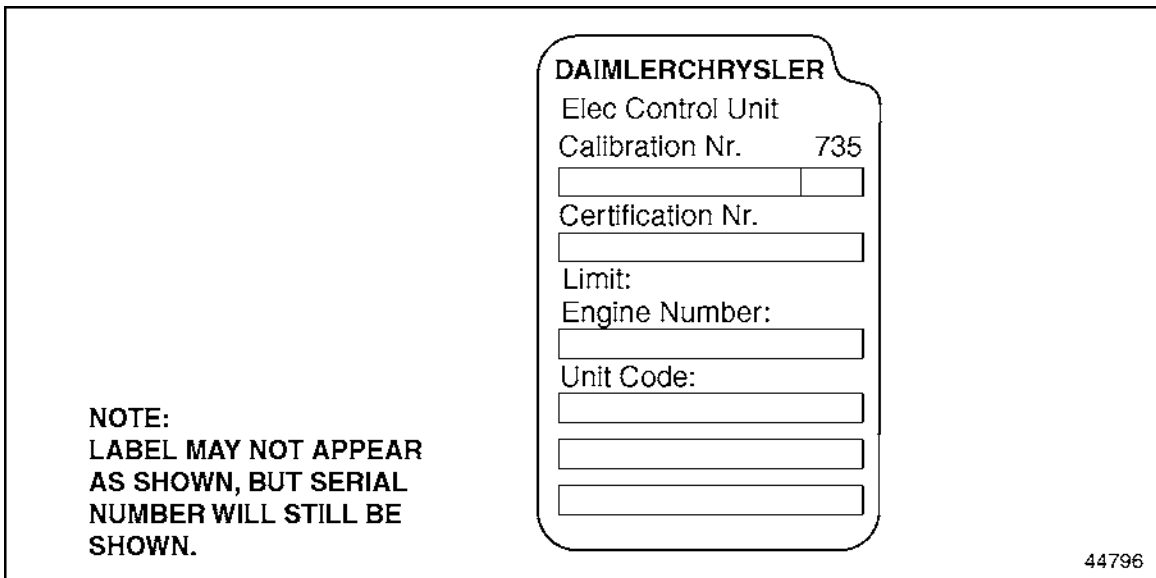


Figure 3 Example DDEC-ECU (PLD-MR) Label

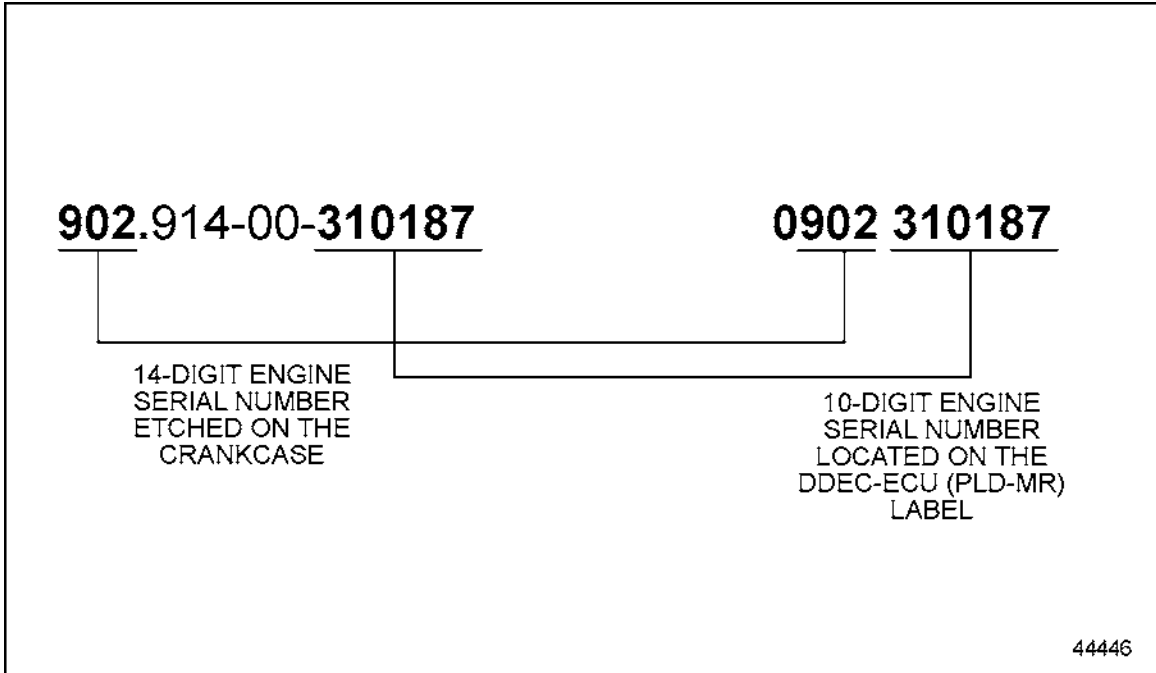


Figure 4 Example of Ten-Digit Engine Serial Number

DETROIT DIESEL



13400 Outer Drive, West, Detroit, Michigan 48239-4001
 Telephone: 313-592-5000
 www.detroitdiesel.com

Copyright© 2004 Detroit Diesel Corporation. Detroit Diesel®, DDC®, and the spinning arrows design are registered trademarks of Detroit Diesel Corporation. All other trademarks are the property of their respective owners.
18SP588 0408 As technical advances continue, specifications will change. All rights reserved. Printed in U.S.A.