

# DETROIT DIESEL



## Installation Instructions

### 18SP608 – Series 60<sup>®</sup> Oil Sampling Valve

#### KIT DESCRIPTION

This kit (P/N: 23534704) contains all the necessary parts for installation of an oil-sampling valve on Series 60 EGR engines. This valve taps into an oil passage in the front left side of the gear case to facilitate the removal of oil samples from the engine.

#### KIT CONTENTS

Table 1 is a description of part numbers and quantities included in the kit.


| Part Number | Description        | Quantity |
|-------------|--------------------|----------|
| 5249900304  | Bolt               | 1        |
| 5180370     | Copper Washer      | 1        |
| 23533541    | Adaptor            | 1        |
| 8925033     | 45-Degree Elbow    | 1        |
| 23524265    | Oil Sampling Valve | 1        |
| 18SP608     | Instruction Sheet  | 1        |

Table 1 Oil Sampling Valve Service Kit (P/N: 23534704) Components

#### INSTALLATION PROCEDURE

##### OIL-SAMPLING VALVE INSTALLATION

Install the oil-sampling valve as follows (see Figures 1 and 2):

|  |
|--|
|  <b>WARNING:</b>                      |
| <b>PERSONAL INJURY</b>   |
| <b>To avoid injury from hot surfaces, wear protective gloves, or allow engine to cool before removing any component.</b> |

1. Make sure the engine is turned off and is cool to the touch.

2. Remove the bolt from the front of the gear case. Install new bolt and copper washer in the gear case. Torque to 114 N·m (84 lb·ft).
3. Remove the ¼ “ NPT pipe plug recessed deep into the side of the gear case.
4. Install adaptor into the side of the gear case and torque to 55 N·m (41 lb·ft).
5. Install the 45-degree elbow into the adaptor. Hold adaptor with a wrench while tightening and orient elbow to a vertical position.
6. Install oil-sampling valve into the elbow and tighten securely. It may be necessary to use a wrench on the elbow to hold it in position. Orient the valve so that it is pointing straight out to the side.

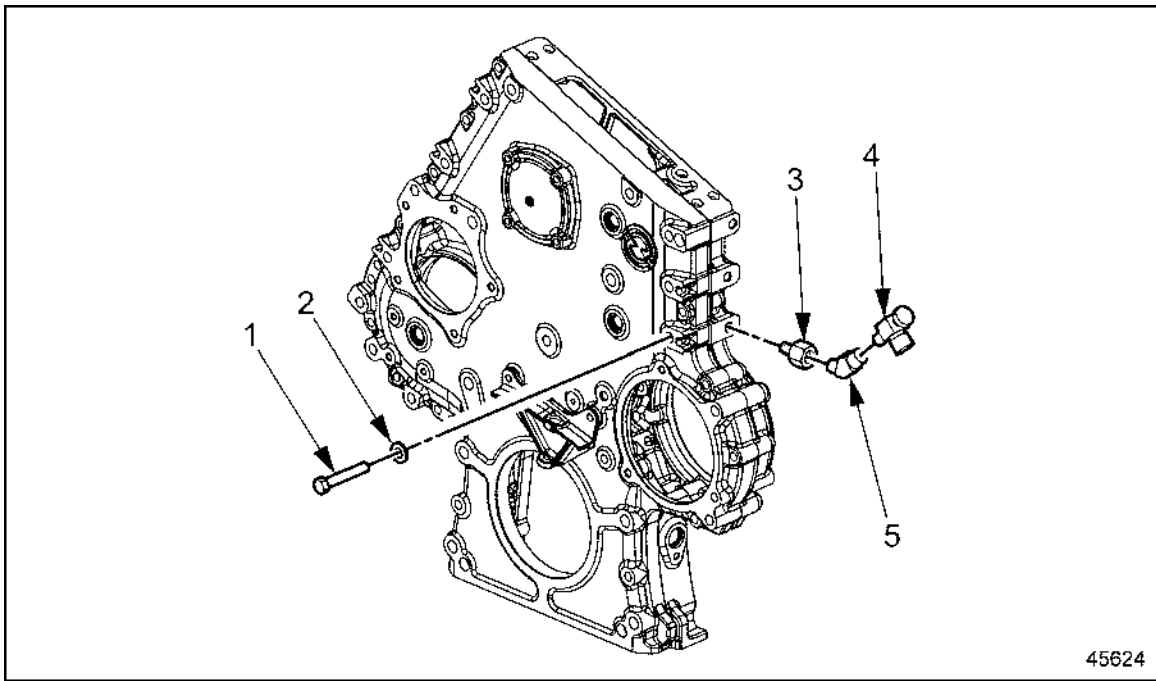
 **WARNING:**

**PERSONAL INJURY**

**Diesel engine exhaust and some of its constituents are known to the State of California to cause cancer, birth defects, and other reproductive harm.**

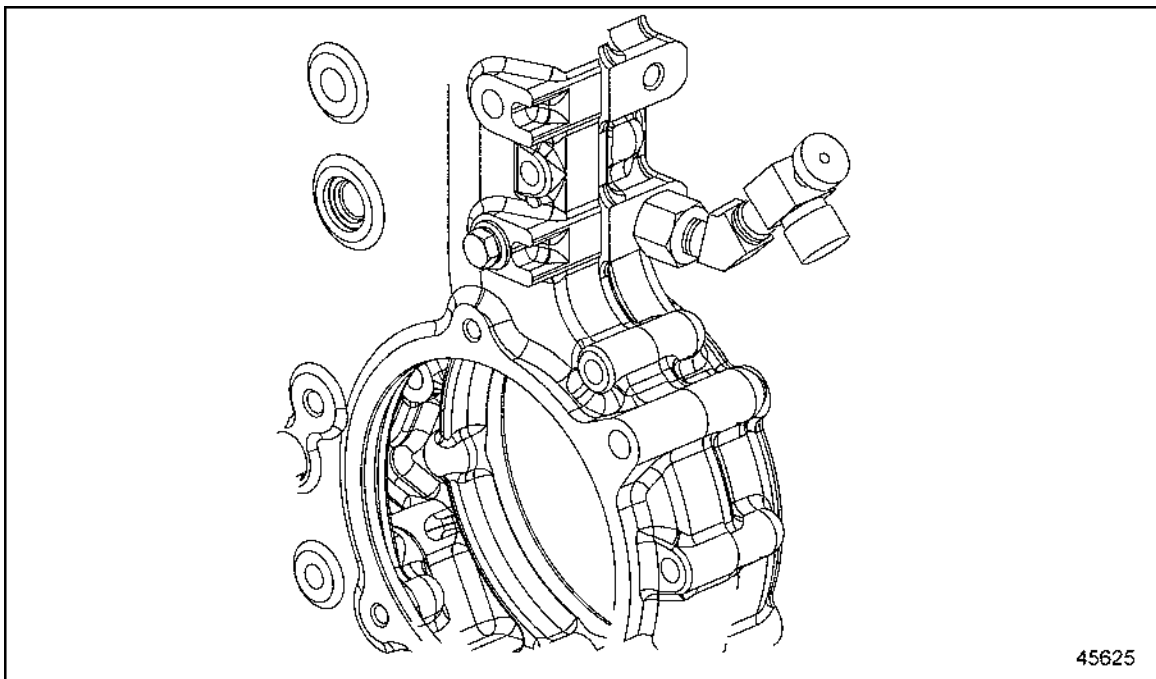
- **Always start and operate an engine in a well ventilated area.**
- **If operating an engine in an enclosed area, vent the exhaust to the outside.**
- **Do not modify or tamper with the exhaust system or emission control system.**

7. Run the engine and check for oil leaks.



1. Bolt
2. Copper Washer
3. Adaptor
4. Oil Sampling Valve
5. 45-Degree Elbow

**Figure 1 Oil Sampling Valve Installation**



**Figure 2 Completed Oil Sampling Valve Installation**

# DETROIT DIESEL

---



13400 Outer Drive, West, Detroit, Michigan 48239-4001  
Telephone: 313-592-5000  
[www.detroitdiesel.com](http://www.detroitdiesel.com)

---

Copyright© 2005 Detroit Diesel Corporation. Detroit Diesel®, DDC®, and the spinning arrows design are registered trademarks of Detroit Diesel Corporation. All other trademarks are the property of their respective owners.  
**18SP608 0506 As technical advances continue, specifications will change. All rights reserved. Printed in U.S.A.**