

DETROIT DIESEL



Installation Instructions

18SP615 – Installation of MBE4000 Low Pressure Fuel Line Kit (P/N: 23535928)

KIT DESCRIPTION

This kit (P/N: 23535928) permits the installation of a stiffening bracket and fuel supply line on an MBE4000 (non-EGR) EPA98 engine in a Freightliner truck (except M2 chassis).

KIT CONTENTS


See Table 1 for the fuel line kit contents:

Part No.	Qty.	Description
4600903076	1	Fuel Supply Line
4600920440	1	Stiffening Bracket
910105010008	2	Bolt, M10 x 45
910105012003	1	Bolt, M12 x 20
007603016102	2	Seal Ring
18SP615	1	Installation Instructions

Table 1 Components of MBE4000 Low Pressure Fuel Line Kit (P/N: 23535928)

INSTALLATION PROCEDURE

Perform the following steps to install the stiffening bracket:

 WARNING: PERSONAL INJURY
To avoid injury from penetrating fluids, do not put your hands in front of fluid under pressure. Fluids under pressure can penetrate skin and clothing.

 WARNING: FIRE
To avoid injury from fire, keep all potential ignition sources away from diesel fuel, including open flames, sparks, and electrical resistance heating elements. Do not smoke when refueling.

NOTE:

For additional safety precautions, refer to the MBE4000 Service Manual (6SE412) General Information section.

1. Remove and discard the fuel supply line and its seal rings from the engine.
2. Install new fuel supply line and seal rings. Torque banjo bolt to 50 Nm (37 lb-ft) and the engine block fitting to 50 Nm (37 lb-ft).
3. Remove both fuel filter housing mounting bolts and discard. Do not reuse the bolts.
4. Install the stiffening bracket and two new M10 x 45 bolts. Torque to 50 N·m (37 lb-ft). See Figure 1.

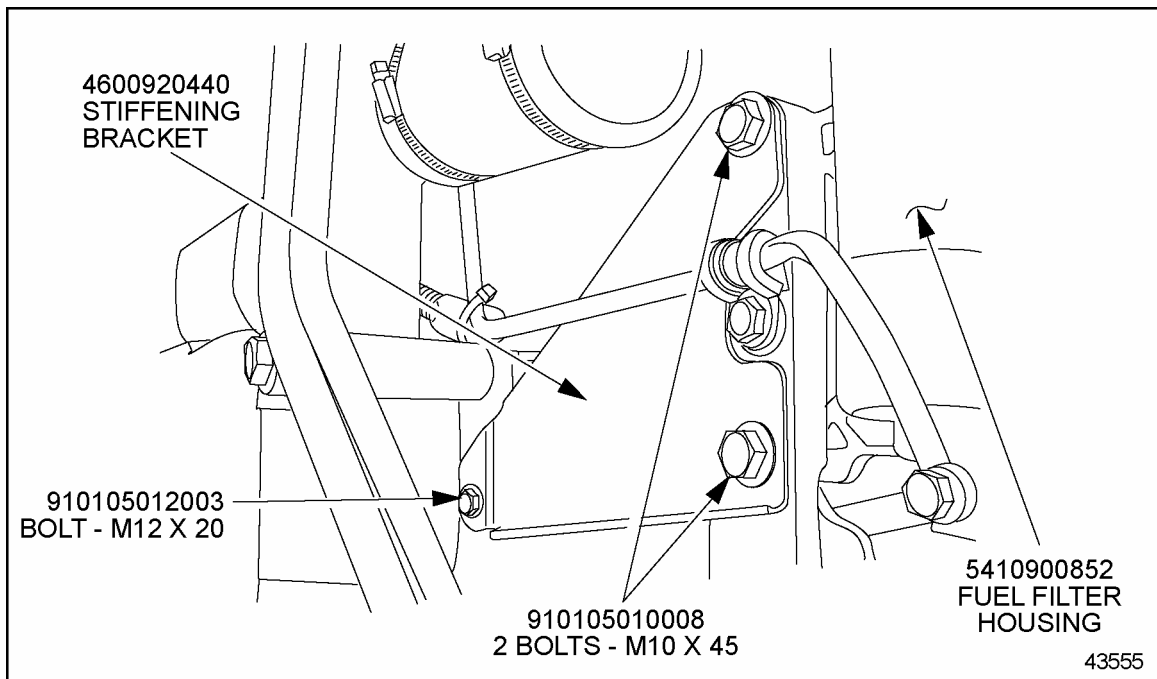


Figure 1 Fuel Filter Housing Stiffening Bracket Installation

5. Install the third bolt M12 x 20) to the engine block. Torque to 100 N·m (74 lb-ft).

DETROIT DIESEL



13400 Outer Drive, West, Detroit, Michigan 48239-4001
Telephone: 313-592-5000
www.detroitdiesel.com

Copyright© 2005 Detroit Diesel Corporation. Detroit Diesel®, DDC®, and the spinning arrows design are registered trademarks of Detroit Diesel Corporation. All other trademarks are the property of their respective owners.
18SP615 0510 As technical advances continue, specifications will change. All rights reserved. Printed in U.S.A.