



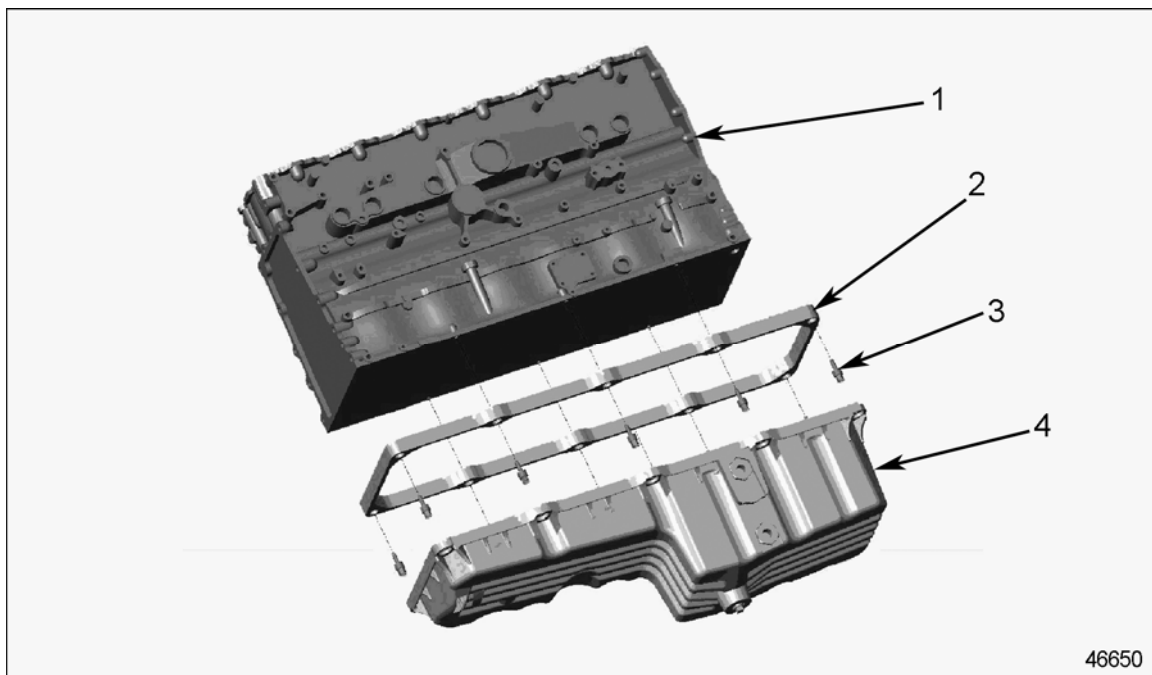
Installation Instructions

18SP626 – Series 60 Non-EGR Oil Pan Adaptor Kit (P/N: 23535537)

KIT DESCRIPTION

Detroit Diesel Corporation has introduced Oil Pan Adaptor Kit (P/N: 23535537) to increase oil capacity on the Series 60 ADR 80 12L and 14L engines used in vocational-type applications. These vehicles are operating at low average speeds in metropolitan environments. Additional oil capacity will improve oil quality and maintain a reasonable oil change interval as stated in the Series 60 Service Manual (6SE483).

The oil pan adaptor is comprised of a 35 mm thick spacer that is located between the cylinder block and the oil pan. See Figure 1.



- | | |
|--------------------|----------------------------|
| 1. Cylinder Block | 3. Bolt Extender (10 qty.) |
| 2. Oil pan Adaptor | 4. Oil Pan |

Figure 1 Oil Pan Adaptor and Bolt Extenders

This adaptor fits three current production oil pans:

- Vinyl rear sump oil pan (P/N: 23522283)
- Vinyl front sump oil pan (P/N: 23522282)
- Aluminum low profile rear sump oil pan (P/N: 23522655)

The oil pan adaptor provides an extra 1.5 gal (6.5L) of oil in the front sump pan and 2.2 gal (10L) of oil in the rear sump pans.

NOTE:

The provision of this extra oil does not imply a guaranteed set oil drain interval to all applications.


KIT CONTENTS

See Table 1 for a list of the kit components.

Part Number	Quantity	Description
23535266	1	Adaptor, Oil Pan
23535267	10	Bolt extender
18SP626	1	Installation Instructions

Table 1 Oil Pan Adaptor Service Kit (P/N: 23535537) Components

INSTALLATION PROCEDURE

 CAUTION:
USED ENGINE OIL
To avoid injury to skin from contact with the contaminants in used engine oil, wear protective gloves and apron.

1. Thoroughly clean the lower part of the engine.
2. Drain oil and remove existing oil pan. For best results, the bonding surfaces of the oil pan adaptor and cylinder block must be cleaned with a solvent-based cleaning agent (DDC Cleaner Degreaser – Loctite/Permatex # 22355).
3. Position the adaptor under the block and secure with at least four of the supplied extender bolts (two on each side of the spacer). Ensure that the adaptor does not interfere with the engine flywheel housing. If this occurs, bevel adaptor as required to maintain clearance.
4. Remove the adaptor and place it on a flat table or the floor. Using a suitable application gun, apply a 3 mm high bead of RTV silicon (P/N: 23525919) into the adaptor groove.
5. Insert the adaptor in position on the cylinder block.
6. Install and slightly tighten the ten extender bolts.
7. Torque extender bolts to 25-30 N·m (18-22 lb·ft) using proper tightening sequence. See Figure 2.
8. Install the original oil pan in accordance with DDC *Series 60 Service Manual* (6SE483).

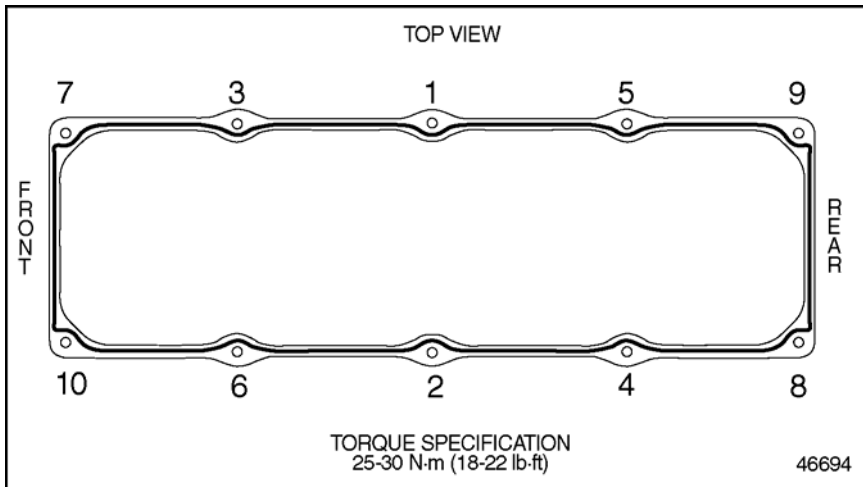


Figure 2 Oil Pan Bolt Tightening Sequence

DETROIT DIESEL



13400 Outer Drive, West, Detroit, Michigan 48239-4001
Telephone: 313-592-5000
www.detroitdiesel.com

Copyright© 2005 Detroit Diesel Corporation. Detroit Diesel®, DDC®, and the spinning arrows design are registered trademarks of Detroit Diesel Corporation. All other trademarks are the property of their respective owners.
18SP626 0608 As technical advances continue, specifications will change. All rights reserved. Printed in U.S.A.