



18SP666 – MBE 900 Pilot Bearing Bolt Service Kit (P/N: A9269900105)

KIT DESCRIPTION

New flanged multi-point socket head bolts have been released to prevent the MBE 900 pilot bearing from walking out of the flywheel housing. The new bolts will replace two flywheel bolts, located 180 degrees from one another.

KIT CONTENTS

The MBE 900 Pilot Bearing Bolt Service Kit P/N: A9269900105, consists of the following parts, listed in Table 1:

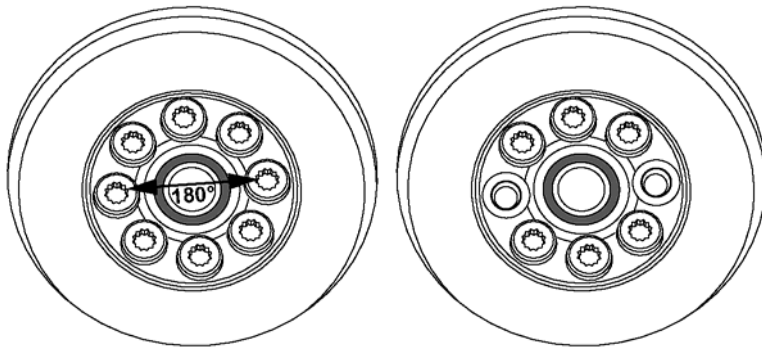
Part No.	Qty.	Description
A9269900005	2	Flanged Multi-point Socket Head Bolts
18SP666	1	Installation Instructions

**Table 1 MBE 900 Pilot Bearing Retaining Bolt Service Kit
(P/N: A9269900105)**

INSTALLATION PROCEDURE

Use the following procedure to install the new flanged multi-point socket bolts:

1. Shut off engine and apply the parking brake, chock the wheels, disconnect vehicle battery power, and perform any other applicable safety steps.
2. Remove the transmission.
3. Remove clutch from flywheel.
4. Pull the crankshaft position sensor out of the flywheel housing about 8 mm (0.32 in.).
5. Remove the end cover from the flywheel housing and install the engine barring tool (J-46392). Tighten the bolts on the barring device to 25 N·m (18 lb·ft). Insert the locking pin to block the device and prevent it from rotating.
6. Using J-46385, the flywheel and main pulley socket tool, remove two flywheel multi-point socket head bolts from the flywheel, 180 degrees apart. See Figure 1.



d030027

Figure 1 Removing Two Flywheel Bolts 180 Degrees Apart

7. Lightly oil the threads on the two new flanged multi-point socket head bolts.
8. Using J-46385, install the two new flanged multi-point socket head bolts and tighten in three stages as listed in Table 2.

Size	Maximum Shaft Length – mm (in.)	Tightening Stage	Torque N·m (lb·ft)
M14 x 1.5	61.0 (2.4)	Stage 1	50 (37)
		Stage 2	125 (92)
		Stage 3	Additional 90 degrees

Table 2 Multi-point Socket Head Bolt Torque Values

- a. Tighten the bolts in an alternating sequence to 50 N·m (37 lb·ft).
 - b. Repeat the alternating sequence to tighten the bolts 125 N·m (92 lb·ft).
 - c. Using the same alternating sequence, turn the bolts an additional 90 degrees.
9. Remove the engine barring tool. Install the end cover on the flywheel housing with two bolts. Tighten the bolts to 25 N·m (18 lb·ft).
 10. Push the Crankshaft Position Sensor into the flywheel housing as far as the stop. Check the Crankshaft Position Sensor for proper installation.
 11. Install the clutch on the flywheel.
 12. Install the transmission.



13400 Outer Drive, West, Detroit, Michigan 48239-4001
 Telephone: 313-592-5000
 www.detroitdiesel.com

Specifications are subject to change without notice. Detroit Diesel Corporation is registered to ISO 9001:2001. Copyright © 2009 Detroit Diesel Corporation. All rights reserved. Detroit Diesel Corporation is a Daimler company.

18SP666 0905 As technical advances continue, specifications will change. Printed in U.S.A.