



18SP667 – EPA07 Series 60[®] EGR Hose Leak Repair Service Kit (P/N: 23538870)

KIT DESCRIPTION

Upon diagnosing an exhaust leak, if the EGR delivery pipe hoses are leaking they will need to be replaced with Service Kit (P/N: 23538870).

KIT CONTENTS

Service kit P/N: 23538870, shown in Table 1, contains all of the necessary parts to repair one hose connection on the EGR delivery pipe.

Part No.	Qty.	Description
23538868	2	Clamps
23534523	1	Hose
18SP667	1	Installation Instructions

Table 1 EPA07 Series 60 EGR Hose Leak Repair Service Kit Contents (P/N: 23538870)

NOTE:

If both ends of the EGR delivery pipe are leaking, two kits will be needed to complete the repair.

REPAIR PROCEDURE

1. Shut off the engine, apply the parking brake, chock the wheels, and perform any other applicable safety steps.
2. Unplug the EGR temperature sensor (1). See figure 1.

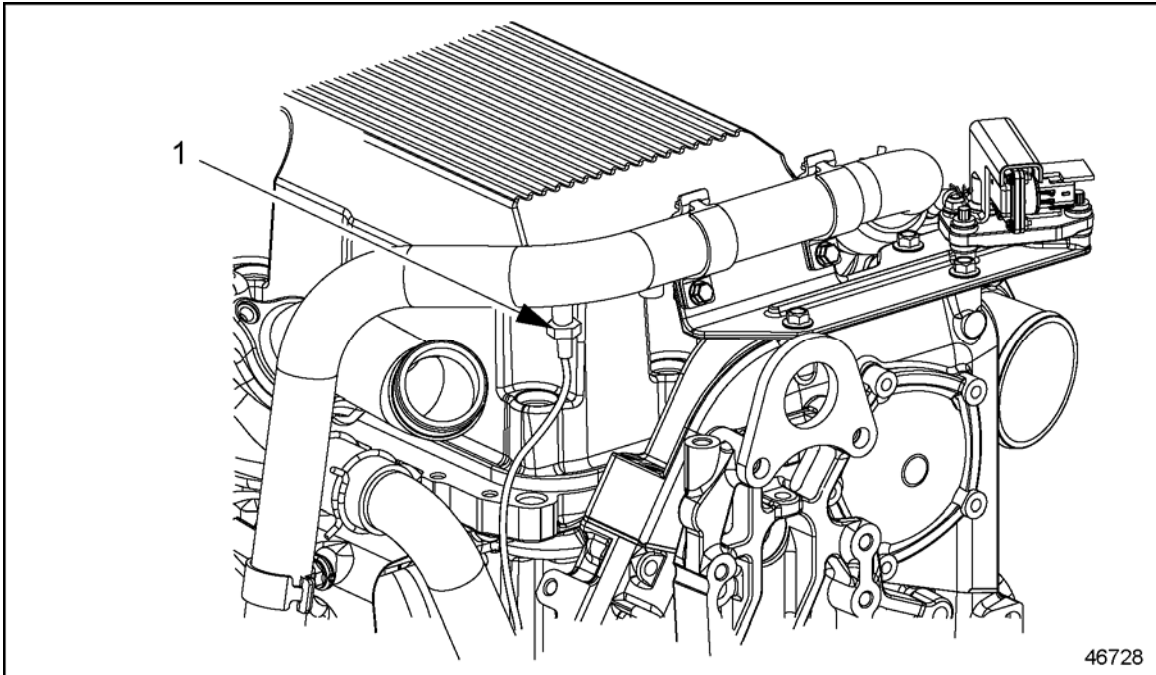


Figure 1 Location of EGR Temperature Sensor

3. Remove two bolts (1) securing the P-Clips to the delivery pipe bracket. See figure 2.

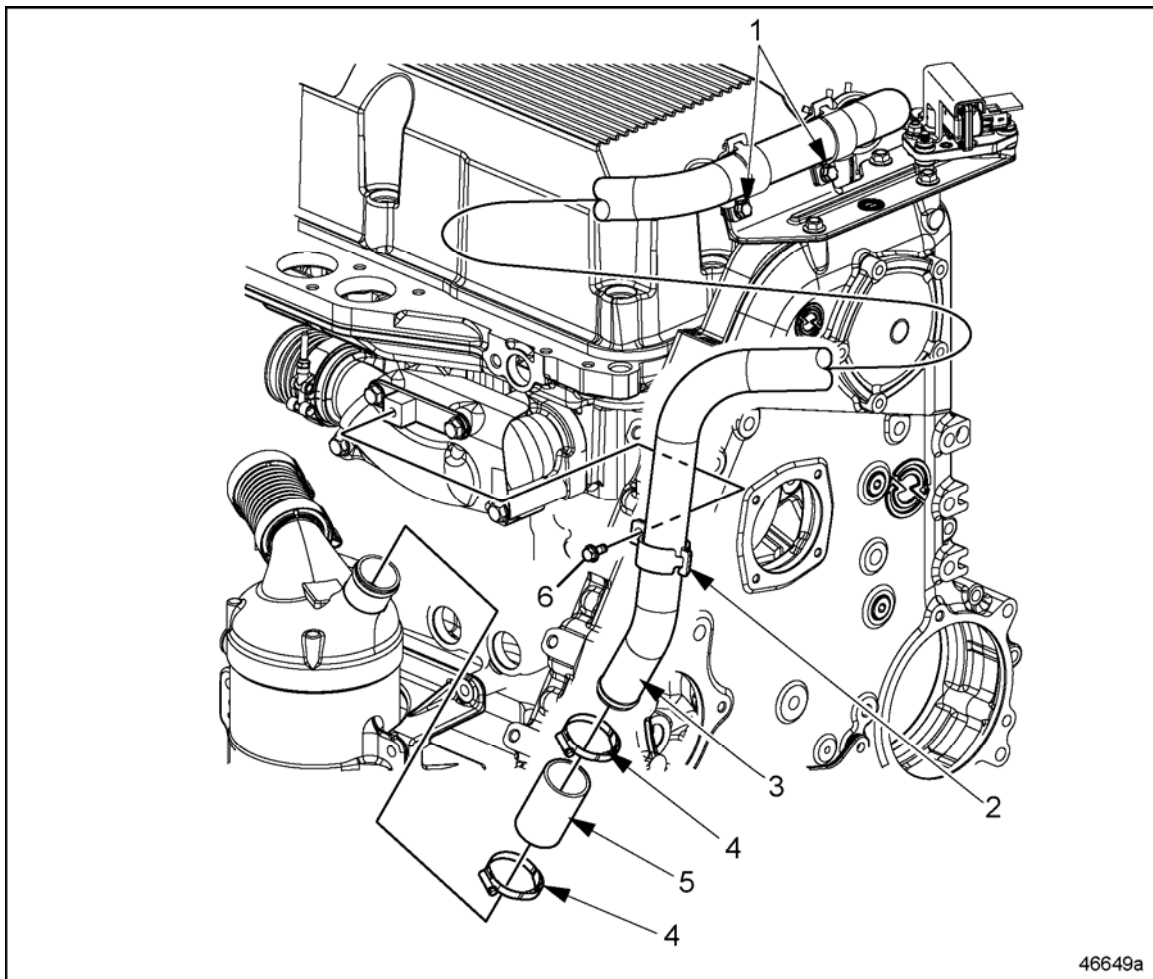


Figure 2 Delivery Pipe Hose Assembly

4. Remove the bolt (6) that secures the P-clip (2) to the exhaust manifold heat shield.
5. Loosen the two clamps (4) securing the hose (5) to the delivery pipe and the EGR cooler.
6. Loosen the two clamps securing the hose to the delivery pipe and the venturi.
7. Remove the delivery pipe, hoses and clamps. Discard the hose(s) and clamps that are leaking.
8. Install new hose(s) 23534523 onto the delivery pipe with the clamps provided. Leave the clamps loose.
9. Insert the EGR cooler into the hose attached to the delivery pipe.
10. Insert the venturi into the hose attached to the delivery pipe.

11. Install the delivery pipe brackets P-clips and bolts. Torque to 30 -38 N·m (22 -28 lb·ft).
12. Install the P-clip and bolt that secures the delivery pipe to the exhaust manifold heat shield. Torque to 30 -38 N·m (22 -28 lb·ft).
13. Plug in the EGR temperature sensor.
14. Torque all delivery pipe hose clamps to 6.5 N·m (57.5 lb·in.).



13400 Outer Drive, West, Detroit, Michigan 48239-4001
Telephone: 313-592-5000
www.detroitdiesel.com

Specifications are subject to change without notice. Detroit Diesel Corporation is registered to ISO 9001:2001. Copyright © 2009 Detroit Diesel Corporation. All rights reserved. Detroit Diesel Corporation is a Daimler company.

18SP667 0905 As technical advances continue, specifications will change. Printed in U.S.A.