



DETROIT[™]
DEMAND PERFORMANCESM

18SP703 – GHG14 KM63 GEN2 Low Pressure Fuel Pump-Two-Filter Fuel System Kit (P/N: A0040911601)

KIT CONTENTS

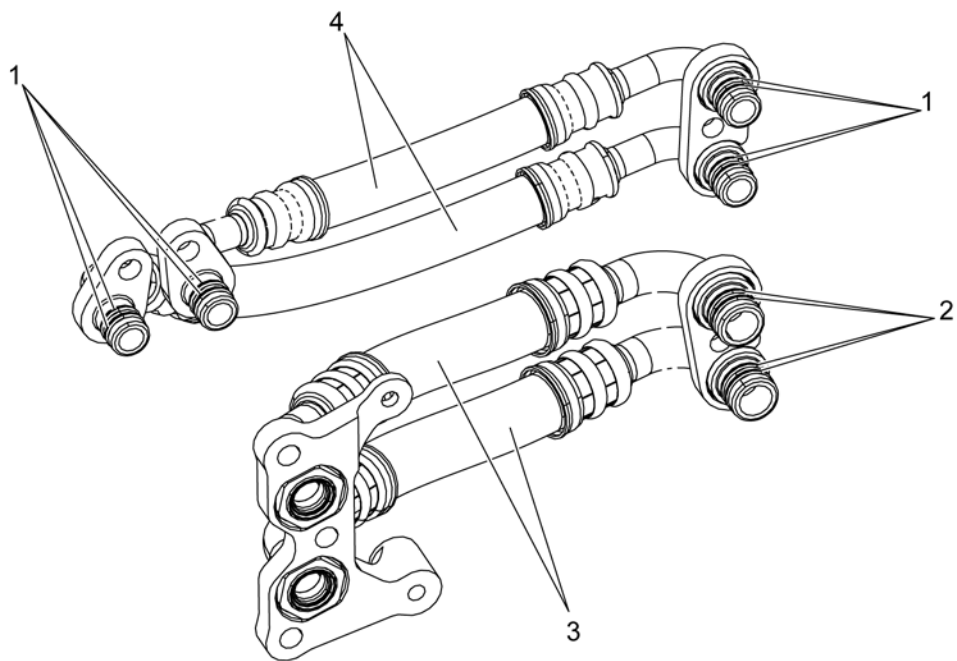
Service kit P/N: A0040911601, shown in Table 1, contains all of the necessary parts to replace the KM63 GEN2 low pressure fuel pump on the GHG14 DD15AT engine.

Part No.	Qty.	Description
A0040911501	1	Pump Low Pressure
A4720940160	4	Seal
A4720940060	8	Seal
18SP703	1	Installation Instructions

Table 1 GHG14 KM63 GEN2 Low Pressure Fuel Pump - Two-Filter Fuel System Kit (P/N: A0040911601)

CRITICAL INSTRUCTIONS

Install the low pressure fuel line O-rings in the correct locations shown below in Figure 1.



d470219a

Figure 1 GHG14 KM63 GEN2 Low Pressure Fuel Lines O-ring Locations
(P/N: A4720940060) high pressure fuel pump inlet and outlet lines O-rings (1), (P/N: A4720940160) low pressure fuel pump lines O-rings (2), low pressure fuel pump inlet and outlet lines (3) and high pressure fuel pump inlet and outlet lines (4).

Refer to Power Service Literature for detailed instructions on replacement of the low pressure fuel pump-two-filter system.



13400 Outer Drive, West, Detroit, Michigan 48239-4001
Telephone: 313-592-5000
WWW.DEMANDETROIT.COM

Specifications are subject to change without notice. Detroit Diesel Corporation is registered to ISO 9001:2008. Copyright © Detroit Diesel Corporation. All rights reserved. Detroit™ is a brand of Detroit Diesel Corporation, a Daimler company.

18SP703 1408 As technical advances continue, specifications will change. Printed in U.S.A.