



DETROIT[™]
DEMAND PERFORMANCESM

18SP705Rev5 – DD Platform Delta Pressure Sensor Replacement Service Kit (P/N: 23539639)

KIT DESCRIPTION

Service kit (P/N: 23539639) contains all the parts needed to replace the DD Platform Delta Pressure Sensor.

KIT CONTENTS

Service kit P/N: 23539639, shown in Table 1, contains all of the necessary parts to replace the Delta Pressure Sensor on DD Platform engines.

Part No.	Qty.	Description
A4701530228	1	Delta Pressure Sensor
A0029905714	2	Step Stud
N910112006001	2	M6 Nut
A0001500320	1	Delta Pressure Sensor Connector Pigtail with three crimp connectors
18SP705Rev5	1	DD Platform Delta Pressure Sensor Replacement Service Kit Instructions

Table 1 DD Platform Delta Pressure Sensor Replacement Service Kit Contents (P/N: 23539639)

REPAIR PROCEDURE



WARNING:
PERSONAL INJURY

To avoid injury, never remove any engine component while the engine is running.

Use the following procedure to replace the Delta Pressure Sensor:

Removal of the Delta Pressure Sensor

1. Open the hood.
2. Disconnect the batteries.

 **WARNING:**

PERSONAL INJURY

To avoid injury from hot surfaces, wear protective gloves, or allow engine to cool before removing any component.

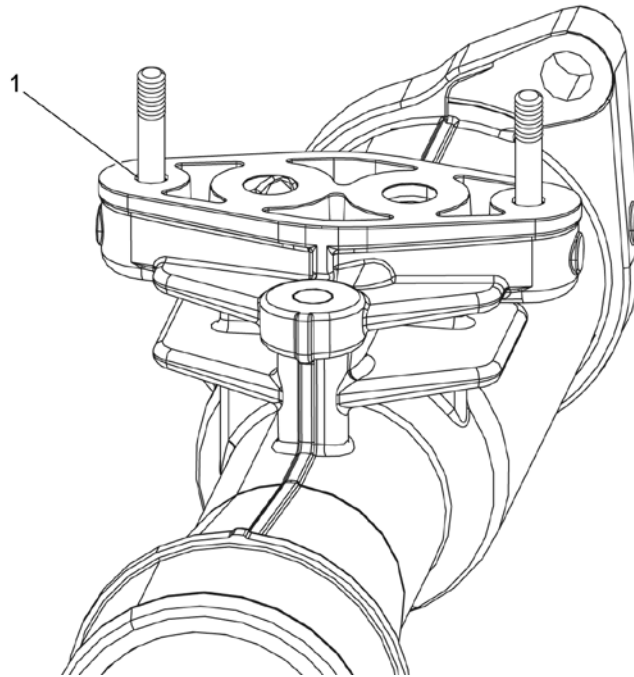
3. Release the harness connector on the sensor by pushing the orange tab up to unlock the connector, depress the thumb tab and remove the harness connector.
4. Remove the two bolts securing the Delta Pressure Sensor to the Exhaust Gas Recirculation (EGR) venturi pipe.
5. Ensure the seal rings from the old Delta Pressure Sensor have been removed from the mounting surface on the venturi pipe.
6. Clean the venturi ports.

Installation of the Delta Pressure Sensor

NOTICE:

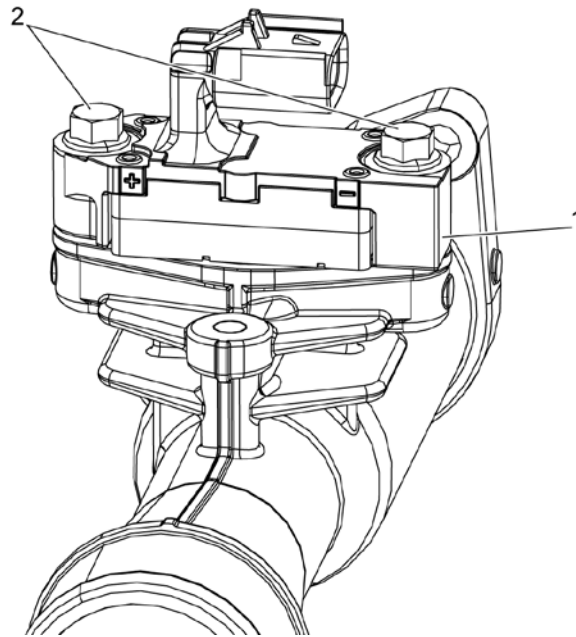
If the stepped studs are not installed into the venturi pipe at the proper depth, the Delta Pressure Sensor could leak exhaust gases.

1. Install the stepped studs (1) (P/N: A0029905714) into the venturi pipe until the M8 threads are 1mm (0.0394 in.) below mounting surface for the Delta Pressure Sensor.



d140427

2. Install the sensor (1) (P/N: A4701530228), terminals facing the engine with the M6 nuts (2) (P/N: N910112006001) on each step stud.



d140429

3. Strip the wires on the Delta Pressure Sensor connector pigtail (P/N: A0001500320).
4. Install the wire crimps on the pigtail ensuring they are heat shrunk properly.
5. Remove the old Delta Pressure Sensor connector by cutting the harness six inches from the connector.
6. Trim the conduit on the engine harness to expose the wires.
7. Strip the wires on the engine harness.

NOTICE:

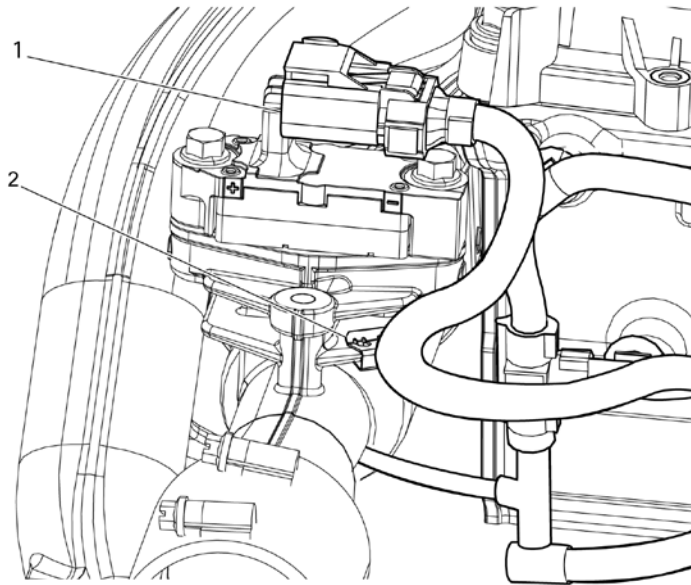
Do **NOT** apply the grease directly to the sensor connector terminals. Static electricity could cause electrical damage to the sensor.

8. Apply dielectric grease to the harness connector only using P/N: 23538278. Connect the new pigtail to the Delta Pressure Sensor.
9. Crimp the wires from the engine harness to the Delta Pressure Sensor by matching the colors respectively. Ensure the crimps are heat shrunk properly.
10. Wrap the exposed wires with electrical tape.

NOTICE:

Ensure the harness is not contacting the venturi pipe other than the mounting point or damage could occur.

11. Clip the harness for the Delta Pressure Sensor (1) to the venturi pipe (2).



d140430

⚠ CAUTION:

ELECTRICAL SHOCK

To avoid injury from electrical shock, use care when connecting battery cables. The magnetic switch studs are at battery voltage.

12. Connect the batteries.
13. Using DiagnosticLink™, calibrate the Delta Pressure Sensor.
14. Close the hood.

⚠ WARNING:

PERSONAL INJURY

To avoid injury before starting and running the engine, ensure the vehicle is parked on a level surface, parking brake is set, and the wheels are blocked.

⚠ WARNING:

ENGINE EXHAUST

To avoid injury from inhaling engine exhaust, always operate the engine in a well-ventilated area. Engine exhaust is toxic.

15. Start the engine and verify repairs.



13400 Outer Drive, West, Detroit, Michigan 48239-4001
Telephone: 313-592-5000
WWW.DEMANDETROIT.COM

Specifications are subject to change without notice. Detroit Diesel Corporation is registered to ISO 9001:2008. Copyright © Detroit Diesel Corporation. All rights reserved. Detroit™ is a brand of Detroit Diesel Corporation, a Daimler company.

18SP705Rev5 1409 As technical advances continue, specifications will change. Printed in U.S.A.