



DETROITTM
DEMAND PERFORMANCESM

**18SP709 – EPA10/GHG14 Two-Filter Fuel System
Rev
KM59 GEN1 DD13 High Pressure Fuel Feed Lines,
Mounting Bracket and P-clips Service Kit
(P/N: A0000701032)**



 **WARNING:**

PERSONAL INJURY

All parts provided within this kit must be installed in the proper locations, and **MUST** be fastened to the specified torque. Failure to properly torque hardware/components will result in failure of a high pressure fuel feed line, resulting in possible fire and/or personal injury.

 **WARNING:**

PERSONAL INJURY

All parts provided with this kit are single-use items and cannot be reused. Reuse of hardware/component items may result in the failure of a high pressure fuel line, resulting in possible fire and/or personal injury.

NOTICE:

Failure to follow these instructions will result in catastrophic damage to the engine and will not be covered under warranty.

KIT DESCRIPTION

This service kit includes all necessary parts to replace the high pressure fuel feed lines, mounting bracket and P-clips in the event one of these parts are loosened, removed or missing from the engine.

KIT CONTENTS

Service kit P/N: A0000701032 contains all of the necessary parts to replace the high pressure fuel feed lines on EPA10/GHG14 DD13 engines.

Part No.	Qty.	Description
A4710780410	2	High pressure fuel feed line
A4720700540	2	P-Clip
N000000007957	2	Bolt M6x12mm
N910105006023	2	Bolt M6x16mm
A4710700840	1	Mounting bracket
18SP709Rev	1	Installation Instructions

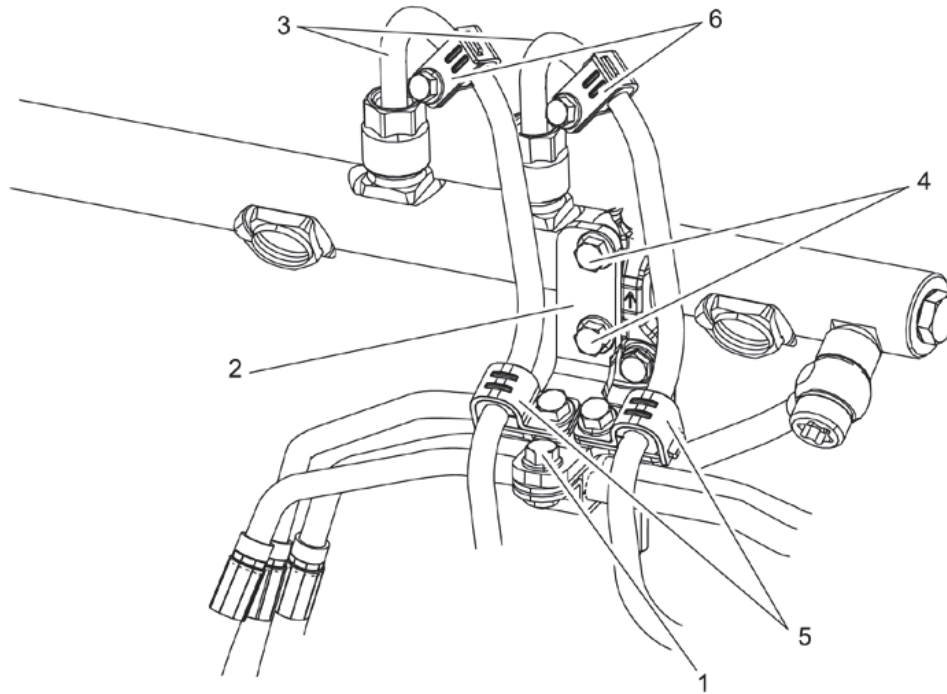
Removal of the High Pressure Fuel Rail Feed Lines

Remove as follows:

WARNING:

PERSONAL INJURY

To prevent the escape of high pressure fuel that can penetrate skin, ensure the engine has been shut down for a minimum of 10 minutes before servicing any component within the high pressure circuit. Residual high pressure fuel may be present within the circuit.



d470160b

Item	Component
1	Reused Return lines P-clip bolt
2	Mounting bracket
3	High pressure fuel feed lines
4	Mounting bracket bolts
5	P-clips and bolts
6	Vibration dampers and bolts

1. Disconnect the batteries.

NOTE:

Do not discard the return lines P-clip and bolt. They will be reused on the installation of the high pressure fuel rail feed lines.

2. Remove the return lines P-clip bolt (1) from the mounting bracket (2).

3. Remove and discard the two bolts and P-clips (5) from the mounting bracket (2).

4. Remove and discard the mounting bracket bolts (4) from the fuel rail clamp and discard the mounting bracket (2).

NOTE:

When using tool J-48770 to remove the high pressure fuel rail feed lines, hold the high pressure pump fittings with a 24mm wrench. If the high pressure pump fittings are loosen while removing the high pressure fuel rail feed lines, re-torque the fittings to 75 N·m (55 lb·ft).


5. Using tool J-48770, remove and discard the high pressure fuel rail feed lines (3) and vibration dampers (6) from the fuel rail and high pressure fuel pump.

Installation of the High Pressure Fuel Rail Feed Lines

Install as follows:

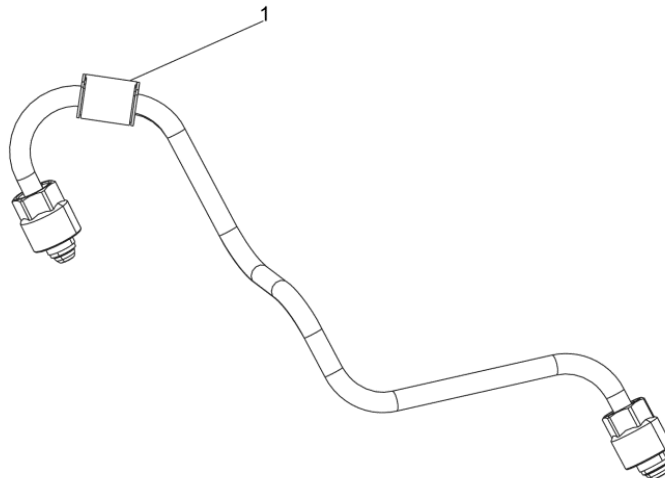
NOTE:

DO NOT install bolts and fittings using power tools. All bolts and fittings MUST be installed using hand tools.

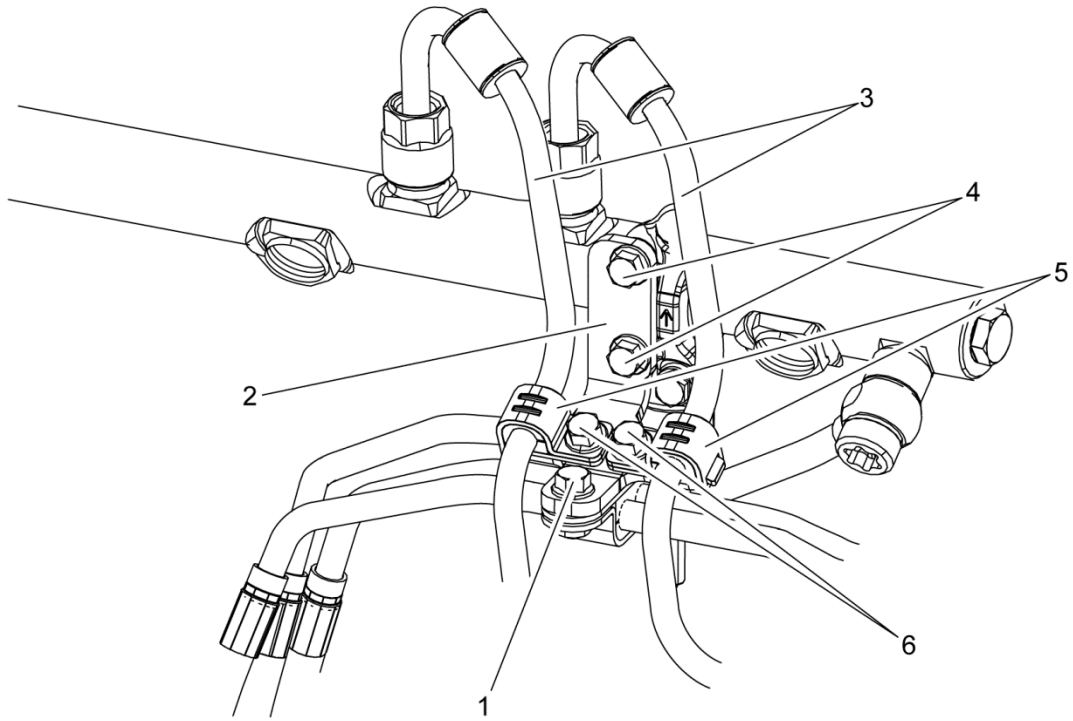
 WARNING:
PERSONAL INJURY
All hardware components must be installed in the proper locations, and MUST be fastened to the specified torque. Failure to properly torque hardware/components will result in failure of a high pressure fuel feed line, resulting in possible fire and/or personal injury.

NOTE:

New high pressure fuel rail feed lines have permanent vibration dampers (1) located on the lines.



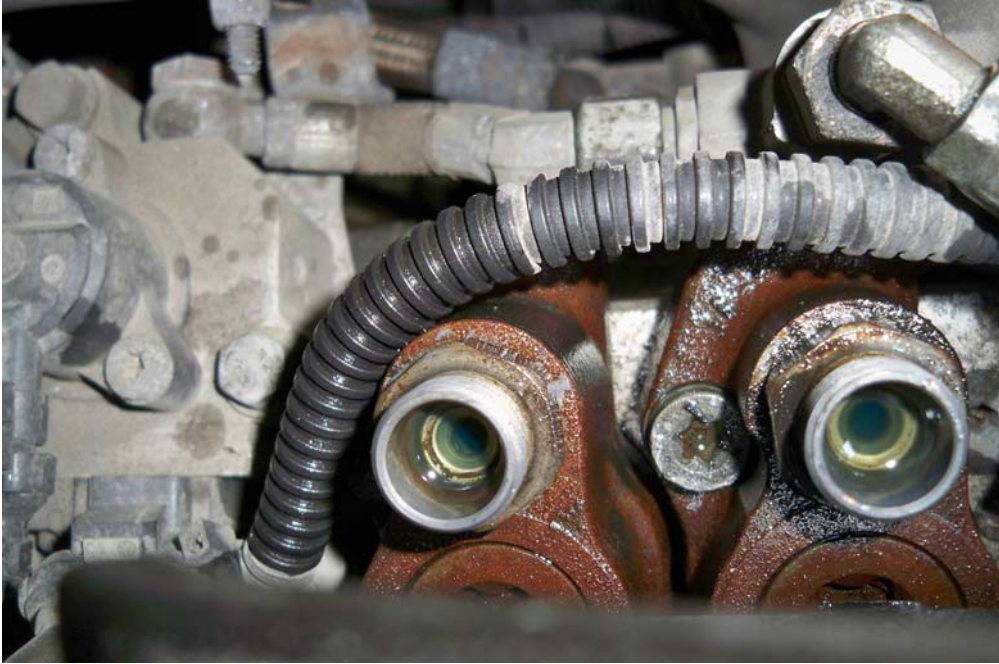
d470305



d470160d

Item	Component	Part number
1	Return lines P-clip bolt	Reused
2	Mounting bracket	A4710700840
3	High pressure fuel feed lines	A4710780410
4	Mounting bracket bolts	N910105006023
5	P-clips	A4720700540
6	P-clip bolt	N000000007957

1. Clean the sealing area inside the high pressure fuel pump fittings using a clean lint-free cloth.



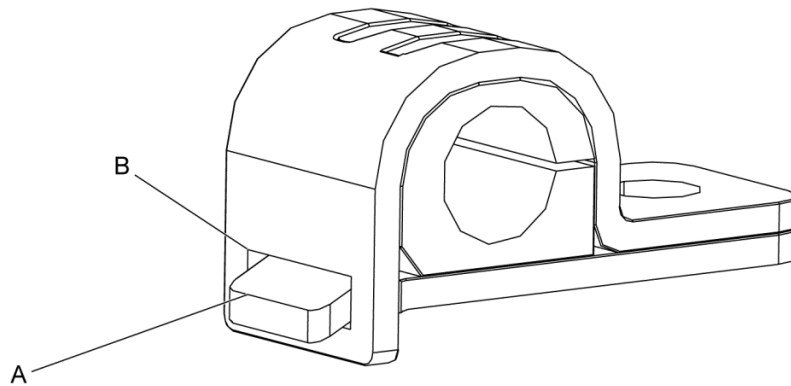
2. Clean the sealing area inside the high pressure fuel rail using a clean lint-free cloth.



3. Install the new mounting bracket (2) (P/N: A4710700840) and two new mounting bracket bolts (4) (P/N: N910105006023) to the fuel rail clamp Torque to 15 N·m (132 lb·in.).

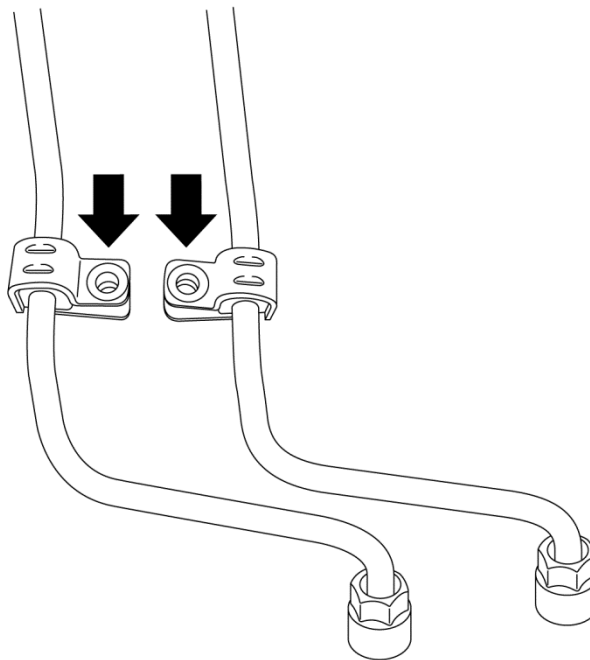
NOTICE:

New P-clip MUST be installed on to the high pressure fuel rail feed lines with the Lower P-clip Plate (A) inserted in to the P-clip Window (B).



d470247a

4. Install both P-clips (5) (P/N: A4720700540) onto both the high pressure fuel rail feed lines (3) (P/N: A4710780410).

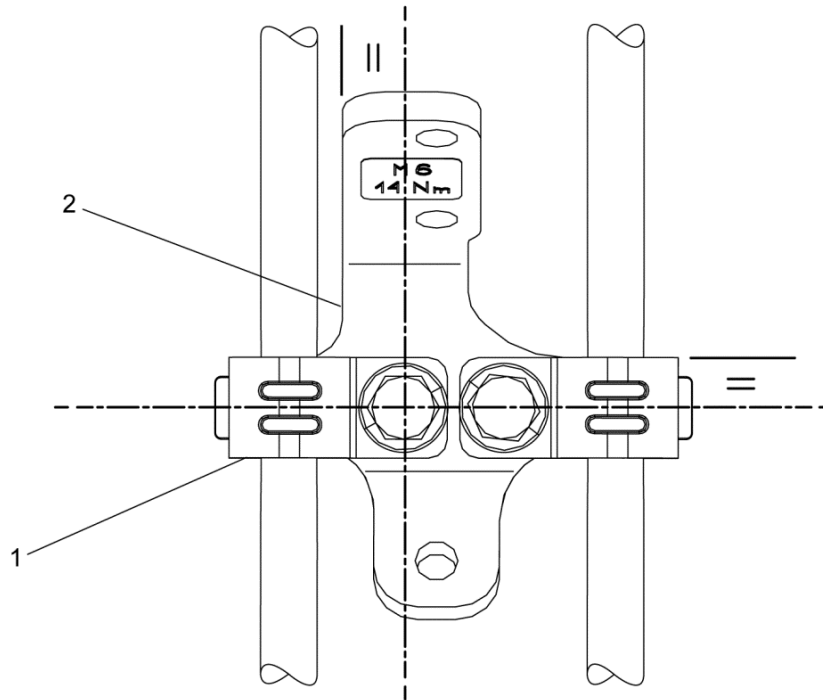


d470315

5. Install the rear high pressure fuel rail feed line (3) to the fuel rail and the high pressure fuel pump. Hand tighten the nuts.
6. Using tool J-48770, torque the rear high pressure fuel rail feed line (3) nuts to 40 N·m (30 lb·ft).

7. Using a new P-clip bolt (6) (P/N: N000000007957), install the P-clip (5) on to the mounting bracket (2). Hand tighten the bolt.
8. Install the front high pressure fuel rail feed line (3) to the fuel rail and the high pressure fuel pump. Hand tighten the nuts.
9. Using tool J-48770, torque the front high pressure fuel rail feed line nuts to 40 N·m (30 lb·ft).
10. Using a new P-clip bolt (6) (P/N: N000000007957), install the P-clip (5) on to the mounting bracket (2). Hand tighten the bolt.
11. Reinstall the return lines P-clip bolt (1). Torque to 15 N·m (132 lb·in.).

Note: New P-clips (1) MUST be installed perpendicular to the bracket (2) and parallel with each other. Hold P-clips in place during tightening to avoid rotation of the P-Clips.



d470318

12. Torque both new P-clips bolts (6) to 15 N·m (132 lb·in.).

NOTICE:

DO NOT use the high pressure fuel rail feed lines without new P-clips and bolts installed.



CAUTION:

ELECTRICAL SHOCK

To avoid injury from electrical shock, use care when connecting battery cables. The magnetic switch studs are at battery voltage.

13. Connect the batteries.
14. Prime the fuel system. [Refer to section "Priming of the Fuel System Using ESOC 350 Fuel Priming Pump."](#)
15. Perform the Rail Pressure Bleed-Off test to verify that there are no leaks. [Refer to section "Rail Pressure Bleed-Off Test Using DDDL \(EPA07\)."](#) [Refer to section "Fuel Injection System \(FIS\) Leak Detection \(EPA10\)."](#)
16. If there are leaks, find the leak and repair as necessary.

Specifications are subject to change without notice. Detroit Diesel Corporation is registered to ISO 9001:2008. Copyright © Detroit Diesel Corporation. All rights reserved. Detroit™ is a brand of Detroit Diesel Corporation, a Daimler company.

18SP709Rev 1406 As technical advances continue, specifications will change. Printed in U.S.A.



13400 Outer Drive, West, Detroit, Michigan 48239-4001
Telephone: 313-592-5000
WWW.DEMANDETROIT.COM