



**DETROIT**<sup>TM</sup>  
**DEMAND PERFORMANCE**<sup>SM</sup>

## 18SP711 – DD15 and DD16 Axial Power Turbine Bracket Kit (P/N: A0000900241)

### KIT DESCRIPTION

Service kit (P/N: A0000900241) contains all the parts needed to replace the stamped Axial Power Turbine mounting bracket with a cast APT bracket.

Note: The tab on the bottom of the bracket (arrow) is only used in European applications..



Cast APT Bracket  
A 473 234 0240



Stamped APT Bracket  
A 472 234 0640

### KIT CONTENTS

Service kit P/N: A0000900241, shown in Table 1, contains all of the necessary parts to replace the Axial Power Turbine mounting bracket on DD15 and DD16 engines.

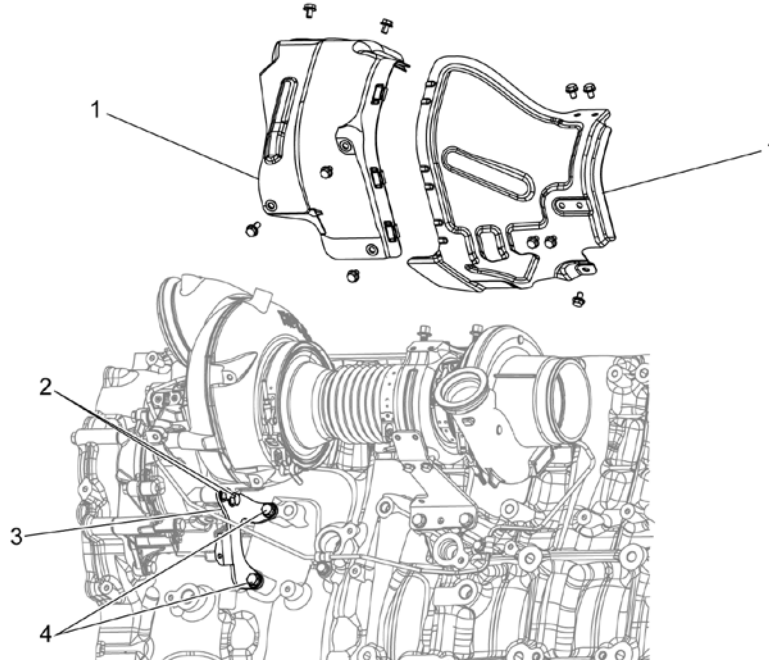
Part No.	Qty.	Description
A4732340240	1	Cast APT Bracket
N910105010001	3	M10 x 30
N910105010002	1	M10 x 50
18SP711	1	Installation Instructions

Table 1 DD15 and DD16 Axial Power Turbine Bracket Kit (P/N: A0000900241)

## REPAIR PROCEDURE

Use the following procedure to replace the Axial Power Turbine mounting bracket if found damaged during inspection:

1. Shut off the engine, apply the parking brake, chock the wheels, and perform any other applicable safety steps.
2. Disconnect the batteries.
3. Remove the heat shields (1) from the turbocharger and the Axial Power Turbine (APT).



d090121

4. Remove four bolts (2, 4) from the APT support bracket (3).
5. Remove the rubber bumper from old bracket and install on the new bracket.
6. Install two bolts through the new bracket (2) into the axial power turbine; then install two bolts through the bracket into the cylinder block (4) and hand-tighten.
7. Torque the bolts to 55-60 N·m (41-45 lb·ft).
8. Install the APT heat shields.
9. Connect the batteries.



13400 Outer Drive, West, Detroit, Michigan 48239-4001  
Telephone: 313-592-5000  
WWW.DEMANDETROIT.COM

Specifications are subject to change without notice. Detroit Diesel Corporation is registered to ISO 9001:2008. Copyright © Detroit Diesel Corporation. All rights reserved. Detroit™ is a brand of Detroit Diesel Corporation, a Daimler company.

18SP711 1411 As technical advances continue, specifications will change. Printed in U.S.A.