



Installation Instructions

18SP534 - IRIS INSTALLATION

INTRODUCTION

The IRIS Mobile Service Kit (P/N: 23528563) provides a temporary installation of IRIS that can be removed and used on multiple vehicles.

IRIS INSTALLATION

The foam gasket on the back of the transceiver may make it difficult to mount the transceiver on the bracket. If there is a problem mounting the transceiver, discard the gasket and mount the transceiver directly on the bracket as shown below (see Figure 1).

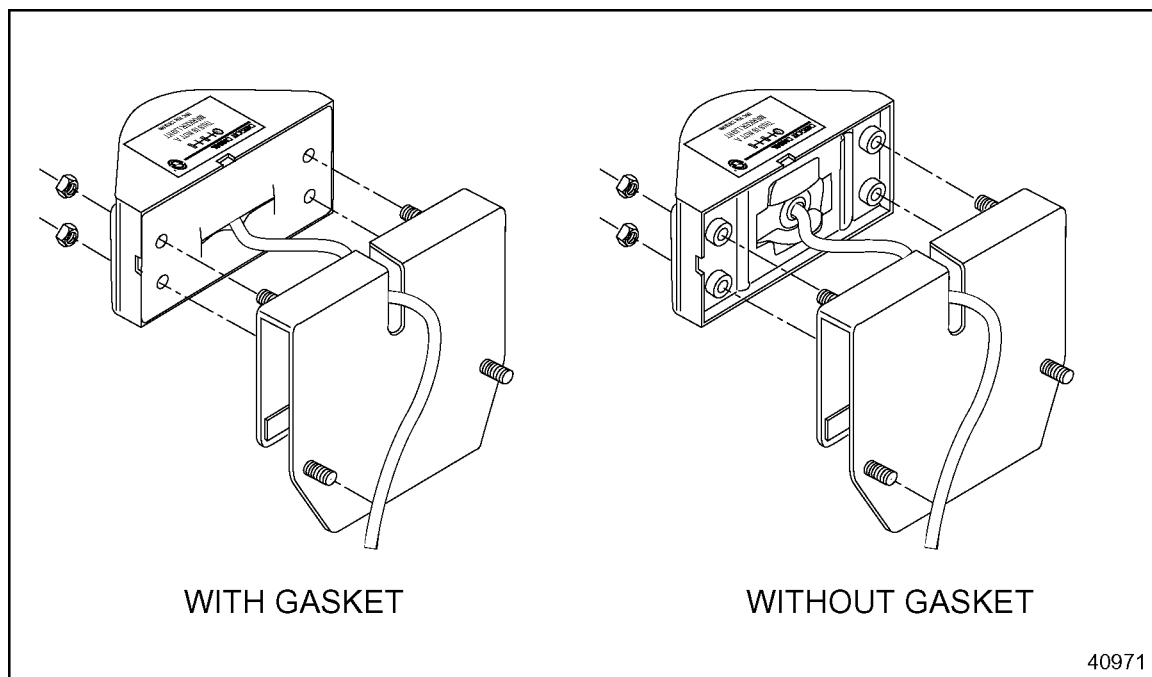


Figure 1 IRIS Transceiver and Bracket

DETROIT DIESEL
CORPORATION



13400 Outer Drive, West Detroit, MI 48239-4001
Telephone: 313-592-5000
FAX: 313-592-7288
www.detroitdiesel.com